

Phone: 866-474-4335 Fax: 559-741-1988



FEATURES

- Die Cast Aluminum Housing
- Injection Molded Lens
- Conduit Access
- Tamper Proof Screws Available
- Lamp Included



Listed for Wet Locations

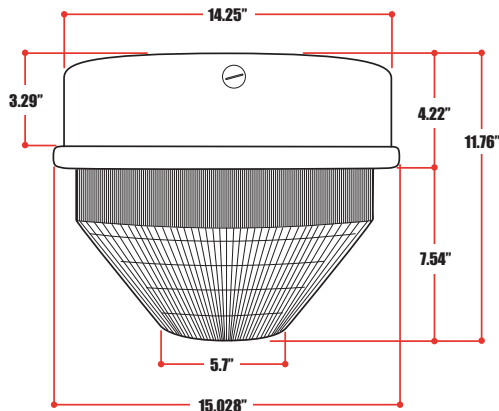
70 to 175 watts MH | HPS

ORDERING INFORMATION

Catalog #	Description	Volts	Ballast Type	Lamp
METAL HALIDE				
VNG15-70MHQPK	70 watt MH	Quad V	HX-HPF	MH70/U/M
VNG15-100MHQPK	100 watt MH	Quad V	HX-HPF	MH100/U/M
VNG15-175MHQPK	175 watt MH	Quad V	CWA	MH175/U/M
HIGH PRESSURE SODIUM				
VNG15-70HPK	70 watt HPS	120 V	R-NPF	C70S62/M
VNG15-70HQPK	70 watt HPS	Quad V	HX-HPF	C70S62/M
VNG15-100HPK	100 watt HPS	120 V	R-NPF	C100S54/M
VNG15-100HQPK	100 watt HPS	Quad V	HX-HPF	C100S54/M
VNG15-150HPK	150 watt HPS	120 V	R-NPF	C150S55/M
VNG15-150HQPK	150 watt HPS	Quad V	HX-HPF	C150S55/M

DIMENSIONS

Approx. Weight: 18 lbs.



ACCESSORIES (FIELD INSTALLED)

Catalog #	Description	Std. Pkg.	See Pg. #
TPS143-4	Tamper-proof screws	4	97
80-142	Tamper-proof screw tool	1	97

PHOTOMETRICS

175W MH @ 10' Mounting Height
Isofootcandles

