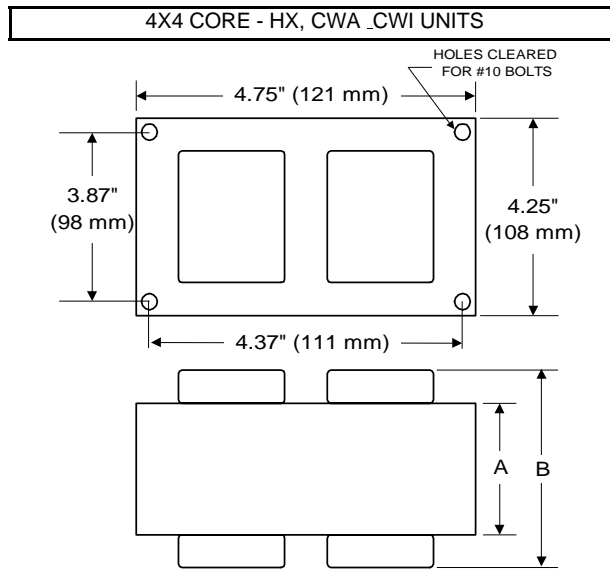


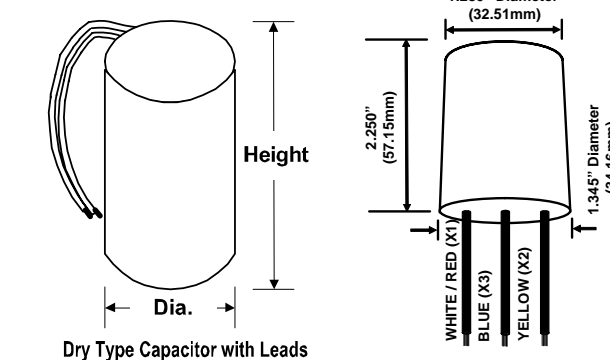
**BALLAST SPECIFICATION**

**450W M144**  
**Pulse Start Metal Halide**  
**V90D8512**  
**60 Hz CWA**

<b>Input Volts</b>	120	208	240	277
<b>Line Current ( Amps )</b>				
Operating	4.40	2.50	2.20	1.90
Open Circuit	1.50	0.85	0.75	0.65
Starting	4.00	2.30	2.00	1.70
<b>Recommended Fuse (Amps)</b>	11	7	6	5
<b>Regulation</b>				
Line Volts	±10%	±10%	±10%	±10%
Lamp Watts	±10%	±10%	±10%	±10%
<b>Temperature Ratings</b>				
Insulation Class	180 (H)	180 (H)	180 (H)	180 (H)
Coil Temperature Code	C	D	D	D
Benchtop Coil Rise	83.7	85.2	85.4	88.1
<b>Power Factor (Min)</b>	90%	90%	90%	90%
<b>Input Watts</b>	506 W	506 W	506 W	506 W
<b>Efficiency</b>	89%	89%	89%	89%
<b>NOM. Open Circuit Voltage</b>	260	260	260	260
<b>Input Voltage At Lamp Dropout</b>	70	120	140	160
<b>Min Ambient Starting Temp</b>	-20°F/-30°C*	-20°F/-30°C*	-20°F/-30°C*	-20°F/-30°C*
<b>60 HZ TEST PROCEDURES</b>				
<b>High Potential Test (Volts)</b>				
1 Minute	2,000 V	2,000 V	2,000 V	2,000 V
1 Second	2,500 V	2,500 V	2,500 V	2,500 V
<b>Open Circuit Voltage Test (V)</b>	235 - 285	235 - 285	235 - 285	235 - 285
<b>Short Circuit Current Test (A)</b>				
Secondary Current				
Min	4.20	4.20	4.20	4.20
Max	5.15	5.15	5.15	5.15
Input Current				
Min	3.20	1.85	1.60	1.40
Max	4.80	2.75	2.40	2.10
<b>CORE and COIL Specifications</b>				
Dimension (A)	2.30 in	2.30 in	2.30 in	2.30 in
Dimension (B)	4.20 in	4.20 in	4.20 in	4.20 in
Weight	12.4 lb's	12.4 lb's	12.4 lb's	12.4 lb's
Lead Lengths	12 "	12 "	12 "	12 "
<b>Capacitor Requirement</b>				
Microfarads	32.0 uf	32.0 uf	32.0 uf	32.0 uf
Volts (Min)	300 V	300 V	300 V	300 V



<b>Capacitor:</b>	ACG320	<b>Ignitor:</b>	BVS-041
Microfarads:	32.0 uf	Case Temp (Max):	105 °C
Volts (Max):	330 V	BTL Distance (Max):	2 ft
Case Temp (Max):	100 °C		
Height (Max):	4.68 in		
Dia / Oval Dia (Max):	1.61 in		

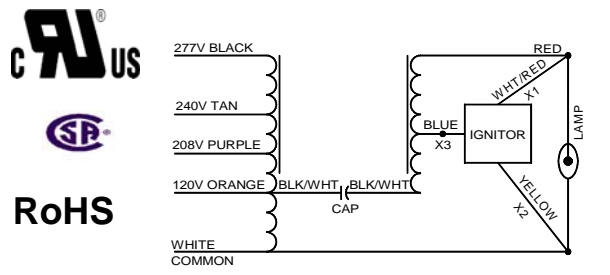


Ordering Information    Add Suffix for options

- C - With Capacitor
- K - Prewired, with Capacitor and Bracket Kit
- B - With Welded Bracket, no cap
- CB - With Capacitor and Welded Bracket

\* -40°F/-40°C Min Ambient Starting Temp with Venture Lamp  
 Coil material: primary Cu and secondary Al  
 RoHS compliant on all manufactured products after August 1, 2007  
 Data is based upon tests performed by Venture Lighting in a controlled environment and is representative of relative performance. Actual performance can vary depending on operating conditions. Specifications are subject to change without notice.

**Complies with California Title 20 Appliance Efficiency Regulations and the Energy Independence and Security Act of 2007**



**4/4/2008    Production**