

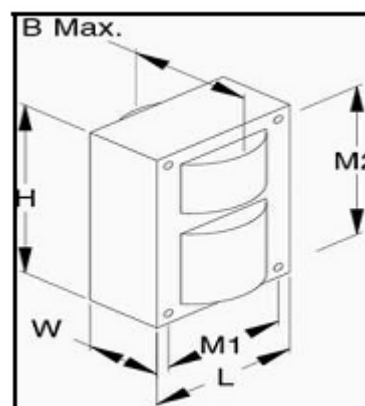
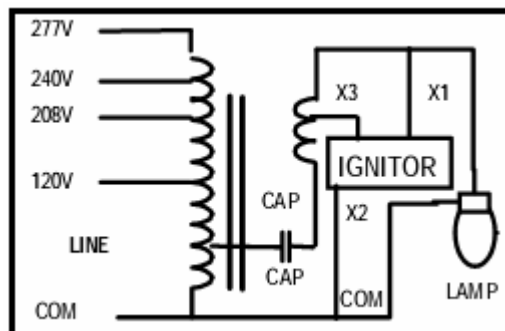
**3 Year Warranty**

Catalog#	BB-0250PSA6CC
Type:	250W Metal Halide Pulse Start
Voltage:	Quad(120/208/240/277)

**General Information**

Lamp Type	250W MH Pulse Start
ANSI Designation	M138
Line Voltage(V)	120/208/240/277
Regulation	10%
Frequency(Hz)	60
Recommended Fuse(A)	8/5/5/3
Circuit Type	CWA
Insulation Class	180°C
Capacitor Value	18.5MF
Capacitor Voltage Rating	300V
Cap.Temp.Rating	90°C
Winding Materials(Pri/Sec)	Al/Al
Lamp Starter	BI-802
Agency Certification	RU,cRU
Maximum Distance to Lamp	2FT

**Wiring Diagram**



**Electrical Characteristics**

Line Volt (V)	Power Factor	Line Current (A)			Input Power (W)	Open Circuit Voltage (V)	Min Start Temp.	UL Temp. Code
		Operating	Open	Start				
120	High	2.50	2.50	1.03	290	265	-30°C	A
208	High	1.45	1.40	0.63	290	265	-30°C	A
240	High	1.25	1.10	0.53	290	265	-30°C	A
277	High	1.10	1.00	0.46	290	265	-30°C	A

**Physical Characteristics**

Overall Dimensions (Inches)				Mounting Holes (Inches)			Bracket Dimension (Inches)		Ballast Net Weight (KG)	Lead Length (Inches)
Length	Width	Height	B max.	Diameter	M1	M2	Length	Width		
4.30	1.65	4.80	3.50	0.25	3.87	4.38	7.25	1.11	3.90	12-14