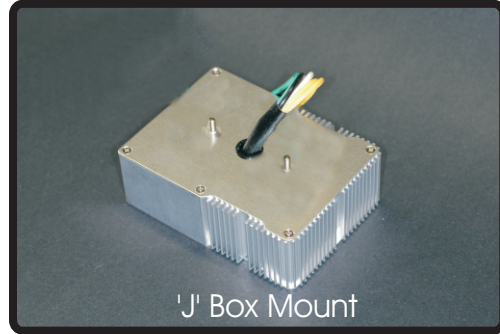


PowerSelect Universal (120Vac-277Vac) 100W Electronic Metal Halide Ballast Specifications

PS13U10T



PS13U10S



INPUT SPECIFICATIONS

● Vac +/-10%	120Vac	277Vac
● Amps @ 70W	0.94A	0.40A
● Power @ 70W	113W	112W
● Frequency	50/60Hz	
● THD	<7%	
● Power Factor	>98%	

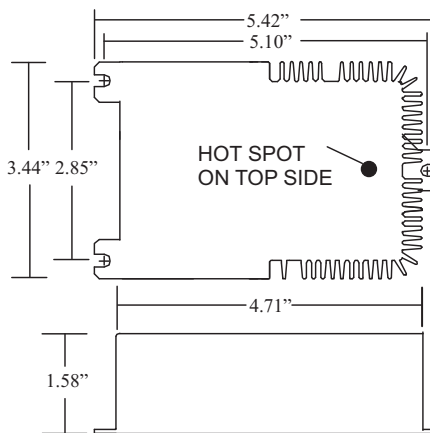
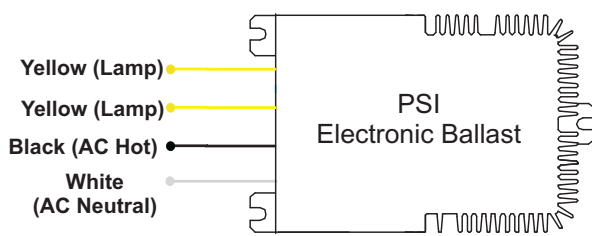
OUTPUT SPECIFICATIONS

● Output Power (Selectable)	100W +/- 2%
● Lamp Drive Frequency	150Hz +/-10%
● Lamp Current Crest Factor	<1.2
● Open Circuit Voltage	>300V Square Wave
● Ignitor Voltage @ Ballast Leads	>3.8KV
● Ignition Failure Timeout	30 Min. Shutdown
● Maximum distance from Ballast	2.5M or 10 Feet Max.
● Compatible 100W ANSI Lamp Types	M90, M140

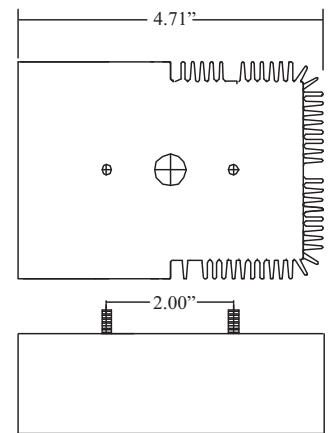
- Enclosure Overall Dimensions (Track)
- Enclosure Overall Dimensions (Stud)
- Unit Weight
- Operating Temperature
- EMI / RFI Compliance
- Sound Rating
- UL / CUL Listed

5.42" L x 3.44" W x 1.58" H
 4.71" L x 3.44" W x 1.58" H
 21oz. / 22oz.
 Min. Temp -30°C - Max. Temp 80°C
 FCC Part 18
 Rated 'A'
 File #E173598

Wiring Diagram



Surface Mount



'J' Box Mount