

347V 20W Mini Stick Electronic Metal Halide Ballast

[Return to Atlas Lighting Supply](#)

Model PS10E20K



INPUT SPECIFICATIONS

- | | |
|----------------|----------------|
| ● Vac +/-10% | 347Vac |
| ● Amp's | 0.073A |
| ● Power | 25W |
| ● Frequency | 50/60Hz |
| ● THD | <10% (7% Typ.) |
| ● Power Factor | >98% |

OUTPUT SPECIFICATIONS

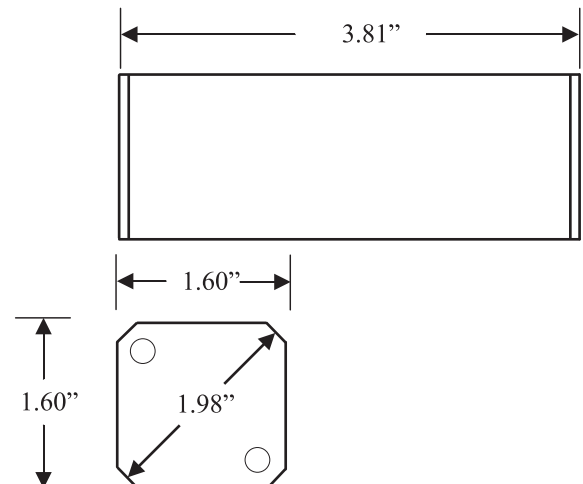
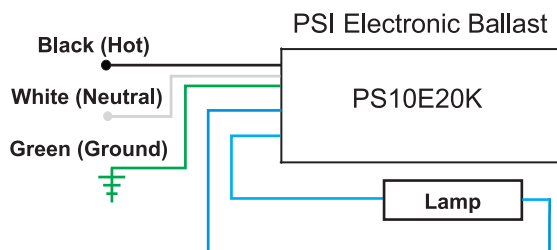
- | | |
|-----------------------------------|-------------------------|
| ● PS10E20K Lamp Power | 20W +/- 2% |
| ● Lamp Drive Frequency | 150Hz +/-10% |
| ● Lamp Current Crest Factor | <1.2 |
| ● Open Circuit Voltage | >300V Square Wave |
| ● Ignitor Voltage @ Ballast Leads | >3.8KV |
| ● Ignition Failure Timeout | 30 Min. Shutdown |
| ● Maximum distance from Ballast | 2.5M or (8.2 feet) Max. |
| ● Compatible 20W ANSI Lamp Types | M156 |

Note: Not compatible with SLI Brite Spot Lamps

MECHANICAL / ENVIRONMENTAL

- Enclosure Overall Dimensions 'both Models'
- Unit Weight
- Operating Temperature
- EMI / RFI Compliance
- Sound Rating
- UL / CUL Listed
- Warranty up to 5 years.

3.81" L x 1.60" W x 1.60" H 'Also available with Feet'
16.8oz.
Min. Temp -30°C - Max. Temp 90°C
FCC Part 18
Rated 'A'
File #E173598



Atlas Lighting Supply

2828 S. Linwood St. Visalia, CA 93277
Phone: 559-697-6764 Fax: 888-605-2324
www.atlaslightingsupply.com

**Manufacturer reserves the right to modify
any specifications without notice**