

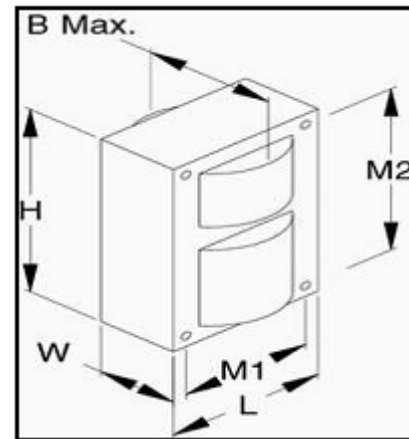
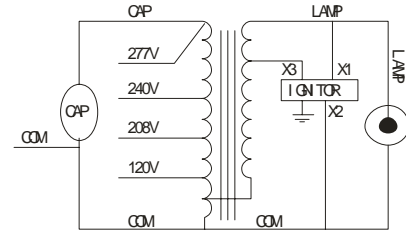
Catalog#	BB-0150HPA6HC
Type:	150W High Pressure Sodium
Voltage:	Quad(120/208/240/277)

3 Year Warranty

General Information

Lamp Type	150W HPS
ANSI Designation	S55
Line Voltage(V)	120/208/240/277
Regulation	10%
Frequency(Hz)	60
Recommended Fuse(A)	10/5/5/4
Circuit Type	HX-HPF
Insulation Class	180
Capacitor Value	14MF
Capacitor Voltage Rating	300V
Cap.Temp.Rating	105
Winding Materials(Pri/Sec)	Al/Al
Lamp Starter	BI-801
Agency Certification	RU,cRU
Maximum Distance to Lamp	2FT

Wiring Diagram



Electrical Characteristics

Line Volt (V)	Power Factor	Line Current (A)			Input Power (W)	Open Circuit Voltage (V)	Min Start Temp.	UL Temp. Code
		Operating	Open	Start				
120	High	3.65	3.20	1.40	185	120	-40	D
208	High	2.10	1.95	0.90	185	120	-40	D
240	High	1.80	1.65	0.60	185	120	-40	D
277	High	1.58	1.45	0.55	185	120	-40	D

Physical Characteristics

Overall Dimensions (Inches)				Mounting Holes (Inches)			Bracket Dimension (Inches)		Ballast Net Weight (KG)	Lead Length (Inches)
Length	Width	Height	B max.	Diameter	M1	M2	Length	Width		
2.80	2.75	3.94	4.20	0.25	2.40	3.54	5.50	1.25	3.25	12-14

Atlas Lighting Supply

2828 S. Linwood St. Visalia, CA 93277
 Phone: 559-697-6764 Fax: 888-605-2324
www.atlaslightingsupply.com